

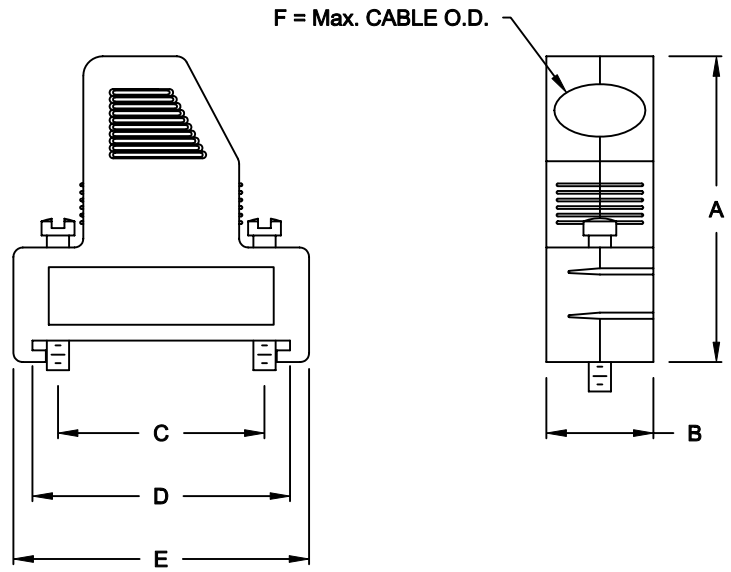
DESCRIPTION: 60° ENTRY - BLACK PLASTIC

SPECIFICATIONS:

MATERIAL: POLYAMID UL-RECOGNIZED

BACKSHELL KIT INCLUDES:

- (2) BACKSHELL HALVES
- (1) STRAIN RELIEF CLAMP
- (2) STRAIN RELIEF SCREWS
- (2) JACKSCREWS



950-YYY-010R011

SERIES _____
 POSITIONS _____
 009 _____
 015 _____
 025 _____
 037 _____
 MATERIAL _____
 010 = PLASTIC _____
 RoHS COMPLIANT _____
 R = HIGH TEMP. PROCESS _____
 COLOR _____
 01 = BLACK _____
 PUT-UP _____
 1 = KIT _____

DIMENSIONS (IN.)

No. OF PINS	A	B	C	D	E	F
09	1.457	0.496	0.984	1.228	1.409	0.315
15	1.496	0.496	1.311	1.555	1.736	0.315
25	1.614	0.496	1.854	2.098	2.280	0.354
37	1.614	0.496	2.500	2.744	2.925	0.354

DO NOT SCALE FROM DRAWING



THESE DRAWINGS AND SPECIFICATIONS ARE THE PROPERTY OF NorComp AND SHALL NOT BE REPRODUCED, COPIED OR USED AS THE BASIS FOR THE MANUFACTURE OF SALE OF APPARATUS WITHOUT WRITTEN PERMISSION.

DRAWN: **C. SMITH** DATE: **03-26-07**
 CHECKED: _____ DATE: _____

NorComp

SCALE: **1:1** SHEET **1** OF **1** REV **0**
 DWG NO. **950-YYY-010R011**

RoHS COMPLIANT